

RICOH

High performance black and white & colour processors



Aficio™ MP C2800/MP C3300

Create stunningly finished B/W and colour output

Satisfying all office communication needs

In today's hectic office environments, finding a competitive advantage is not a given. As your company's first impression is crucial, colour is the tool to show you mean business. Add it to your business documents and enjoy the benefits right away. Colour increases involvement, engages the interest and persuades faster: ideal for proposals, forms and invoices. Designed to put you in the lead, Ricoh's MP C2800/MP C3300 offer a wealth of possibilities that support your creativity and productivity. To revolutionise your business image, you can now provide clients with spectacularly finished documents in black and white and colour. Everything you need to achieve high-impact results and the business success that goes with it.

- All-in-one: print, copy, scan and fax from one device.
- High quality B/W and colour output at 28/33 ppm.
- Easy access & intuitive operation via the colour LCD panel.
- Advanced faxing and information distribution capabilities.
- Scan to USB function.
- Exceptional document handling and in-house finishing.



Designed to put you in the lead

Make your complex tasks easy

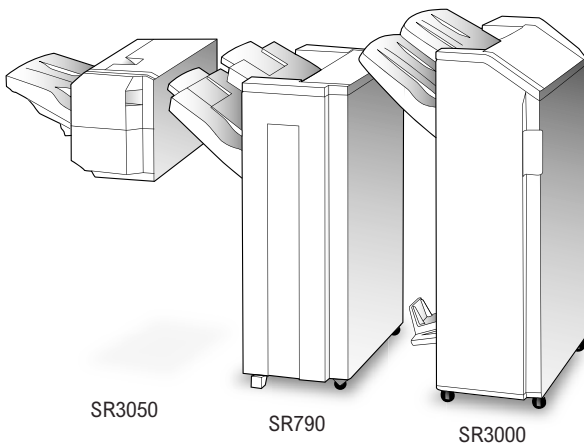
Designed to simplify your daily workflow, the MP C2800/MP C3300 allow you to create first-class documents with the greatest ease. No technical expertise is required! The advanced colour LCD touch panel offers you:

- The possibility to show only your most frequently used functions.
- A preview functionality for optimum usability and improved accuracy.
- A crystal-clear screen that displays text and images as sharp as on your PC screen.
- Animated user guidance in case of irregularities.



Continuous operation

With a maximum paper capacity of 4,400 sheets, replenishments are down to an absolute minimum. The system even switches to the next tray with the same paper when the one in use runs out. You can continue your work without interruptions.



Finishing experts

Why resort to expensive outsourcing when you can create professionally finished documents in-house? The MP C2800/MP C3300 offer an entire range of possibilities to meet your needs: staple and collate with the 500-sheet and 1,000-sheet finisher or create attractive sales, training and presentation material with the systems' booklet finisher.





GlobalScan NX

Our intuitive GlobalScan NX streamlines your workflow with flexible scanning and distribution. Via an easy-to-use Graphical User Interface (GUI), preset icons with your customised document format and workflow. You can now scan in a single step from the MP C2800/MP C3300's control panel.



Impress in colour

Boost your business image with high-impact colour documents. Colour makes a lasting impression! On top of that, your documents become more attractive and readable. The MP C2800/MP C3300 make sure you obtain expert results with impeccable detail and sharp images. For special applications requiring thick paper such as menu cards and cover pages, paper of up to 256 g/m² can be handled via the bypass tray and paper trays. Everything is available to increase the effect of your business communication!



Think green

Ricoh uses toxic-free materials for all its hardware. Our low-energy toner production methods are unique. With low power consumption, clean and quiet operation and duplex functionality, the Aficio™MP C2800/MP C3300 take environmental care even further.

Power up your office with the latest technologies

Digitally organise, edit and distribute information to save time and costs. Instead of filling archive cabinets, you can easily:

- Digitise documents and store them on the document server.
- Share a document by scanning it to the addressee's e-mail address, to a specific folder or USB.
- Avoid network overloads and prevent huge e-mail inboxes by sending an e-mail containing a URL address.

Top multifunctional performers

Whether you are looking for a digital copy/print/scan solution or a full-blown multitasker with fax and finishing capabilities, the MP C2800/MP C3300 can be customised to suit your specific needs. In fact, you can process all your documents using one compact multifunctional device: cost-efficient and space-saving! The system warms up in a mere 27 seconds, and your first black and white job is ready in 5.0 seconds*. Colour prints and copies are on your desk just as fast as black and white documents: at 33 pages per minute (28 ppm for the MP C2800), your productivity is never compromised!

* Full colour: 8.0 seconds.

Safeguard access & information

Protect your business against possible security threats with the latest in authentication, temporary data overwriting and unauthorised copy prevention:

- Advanced access limitation: Windows® authentication & colour usage restriction.
- Prevention of industrial spying & information leaks: Data Overwrite Security Unit.
- Watermark protection to rule out unauthorised copying.



Embedded Software Architecture™

Using Embedded Software Architecture™, an innovative Java™ (J2ME™)-compatible software platform, you can design customised key applications to facilitate your document workflow.



Distributing scanned documents is easy: you can store them on the device's Document Server, send them to any e-mail address in the world or directly to a specific folder on the network.

COPIER

| | | |
|--------------------------------|---|---|
| Copying process: | Laser beam scanning and electro-photographic printing | |
| Copy speed: | MP C2800: B/W / full colour: 28 copies per minute | MP C3300: B/W / full colour: 33 copies per minute |
| Resolution: | 600 dpi | |
| Multiple copy: | Up to 999 | |
| Warm-up time: | 27 seconds | |
| First output speed: | Black and white: 5.0 seconds | Full colour: 8.0 seconds |
| Zoom: | 25 - 400% (in 1% steps) | |
| Memory: | Standard: 1,024 MB + 80 GB Hard Disk Drive | |
| Paper input capacity: | Standard: 2 x 550-sheet paper trays | 1 x 100-sheet bypass tray |
| | Maximum: 4,400 sheets | |
| Paper output capacity: | Maximum: 1,625 sheets | |
| Paper size: | A6 - A3 | |
| Paper weight: | Paper trays: 60 - 256 g/m ² | Bypass tray: 60 - 256 g/m ² |
| | Duplex tray: 60 - 169 g/m ² | |
| Duplexing: | Standard | |
| Dimensions (W x D x H): | 670 x 671 x 760 mm | |
| Weight: | Less than 120 kg (with ARDF) | |
| Power source: | 220 - 240 V, 50/60 Hz | |
| Power consumption: | Operation: Maximum 1.6 kW | Energy saver mode: Less than 106 W |
| | Auto Off mode: Less than 4.3 W | |

SCANNER

| | |
|--|--|
| Scan speed: | B/W / full colour: Maximum 50 originals per minute (LEF, A4) |
| Resolution: | Maximum 1,200 dpi |
| Original size: | A5 - A3 |
| Output formats: | PDF/JPEG/TIFF/High compression PDF |
| Bundled drivers: | Network, TWAIN |
| Scan to e-mail: | SMTTP (optionally with POP3 authentication) |
| Scan to e-mail destination addresses: | Maximum 500 per job |
| Stored destination addresses: | Maximum 2,000 |
| Address book: | Via LDAP or locally on Hard Disk Drive |
| Scan to folder: | SMB, FTP, NCP |
| Scan to folder destination: | Maximum 50 folders per job |

SOFTWARE

SmartDeviceMonitor™, Web SmartDeviceMonitor™, Web Image Monitor, DeskTopBinder™ Lite

FAX (option)

| | |
|----------------------------|---|
| Circuit: | PSTN, PBX |
| Compatibility: | ITU-T (CCITT) G3 ITU-T (T.37) Internet fax ITU-T (T.38) IP fax |
| Modem speed: | Maximum 33.6 Kbps |
| Resolution: | Standard/detail: 200 x 100/200 dpi Maximum: 400 x 400 dpi (option) |
| Compression method: | MH, MR, MMR, JBIG |
| Scanning speed: | 0.70 seconds (A4, SEF, standard/detail mode) |
| Memory capacity: | Standard: 4 MB Maximum: 28 MB |
| Memory backup: | Yes |

OTHER OPTIONS

Platen cover, 50-sheet Auto Reverse Document Feeder, Caster table, 550-sheet paper tray, 2 x 550-sheet paper trays, 1,200-sheet side large capacity tray, 2,000-sheet large capacity tray, 500-sheet finisher, 1,000-sheet multi-tray finisher, 1,000-sheet booklet finisher, Several punch kits, 2nd G3 port, Fax memory unit, Internal shift tray, Browser unit, Camera Direct Print card, VM card, File Format Converter, Data Overwrite Security Unit, Copy Data Security Unit, HDD encryption unit, Counter interface unit, Key counter bracket, One bin tray, Bridge unit, Remote Communication Gate, GlobalScan NX, Card authentication package, Professional software solutions

For availability of models, optional apparatus and software, please contact your local Ricoh supplier.

PRINTER

| | | |
|--------------------------------|---|--|
| Print speed: | MP C2800: B/W / full colour: 28 prints per minute | MP C3300: B/W / full colour: 33 prints per minute |
| Printer language: | Standard: PCL5c, PCL6, RPCS™ | Option: Adobe® PostScript® 3™ |
| Resolution: | 1,200 x 1,200 dpi | |
| Interface: | Standard: USB 2.0 USB Host I/F Ethernet 10 base-T/100 base-TX | Option: Bi-directional IEEE 1284/ECP Wireless LAN (IEEE 802.11a, b, g, WPA support) Bluetooth Ethernet 1000 base-T USB 2.0/SD Slot |
| Network protocol: | TCP/IP, IPX/SPX, AppleTalk | |
| Supported environments: | Windows® 2000/XP/Vista/Server 2003/Server 2008 Novell® NetWare® 3.12/3.2/4.1/4.11/5.0/5.1/6/6.5 Sun® Solaris 2.6/7/8/9/10 HP-UX 10.x/11.x/11iv2/11iv3 SCO OpenServer 5.0.6/5.0.7/6.0 RedHat® Linux 6.x/7.x/8.x/9.x/Enterprise IBM® AIX v4.3/5L v5.1/5L v5.2/5L v5.3 Macintosh OS 8.6 or later (OS X Classic) Macintosh OS X v10.1 or later (OS X native) IBM® System i5™ HPT SAP® R/3® NDPS Gateway AS/400® using OS/400 Host Print Transform | |



ISO9001: 2000 certified
ISO14001 certified

Ricoh has designed these products to meet EC ENERGY STAR guidelines for energy efficiency.

Ricoh believes in conserving the earth's precious natural resources. This brochure is printed on environmentally friendly paper: 50% recycled fibres, 50% chlorine free bleached pulp.

All brand and/or product names are trademarks of their respective owners.

Specifications and external appearance are subject to change without notice. The colour of the actual product may vary from the colour shown in the brochure. The images in this brochure are not real photographs and slight differences in detail might appear.

Copyright © 2008 Ricoh Europe PLC. All rights reserved. This brochure, its contents and/or layout may not be modified and/or adapted, copied in part or in whole and/or incorporated into other works without the prior written permission of Ricoh Europe PLC.

www.ricoh.eu